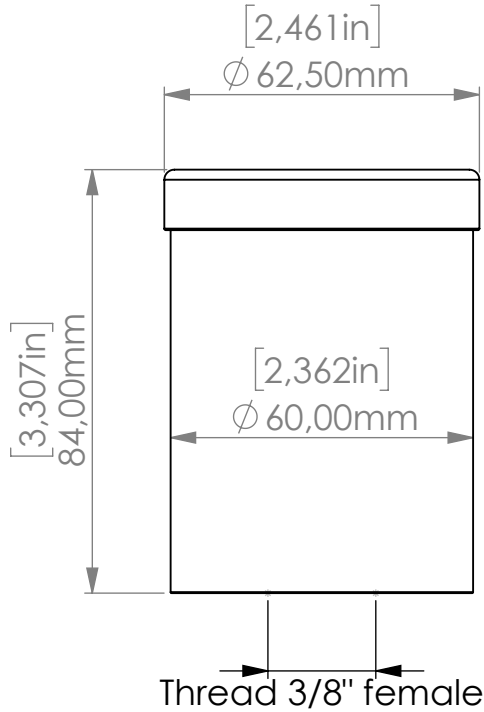


Adsorber BD-D series



Product Code	BD	-	D	-	1M	-	00	-	V2	-	S	-	38f
	Adsorber type		Disposable cartridge		Size		No valves 0 IN 0 OUT		Filter fleece 2 micron		Adsorbent Silicagel Orange-Green		Connection for System Thread 3/8" female

Housing materials:	PA6, PC		
Silicagel (kg/lb):	0,08 / 0.18	Color-change capacity (ml/floz):	28 / 0.9
Total weight (kg/lb):	0.2 / 0.44		

NAME:			
Adsorber BD-D 1M 3/8"f			
BD-D_1M_00_V2_S_38f			
Article no.:	Status freigabe	Format A4	
13.0010.01	Maßstab	Blatt / von	
	1:1.5	1 / 1	



GIEBEL Adsorber®
...setting standards in aeration drying!

GIEBEL
www.giebel-adsorber.com
info@gf-dry.com