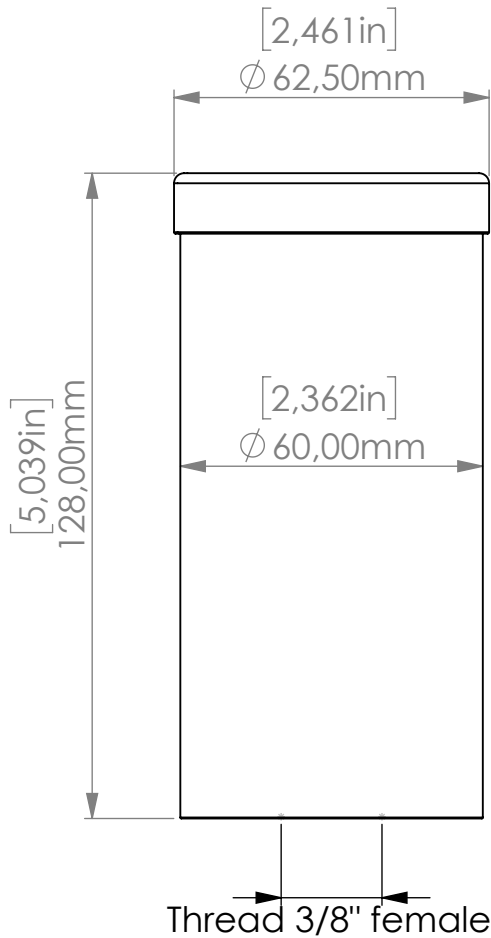


Adsorber BD-D series



Product Code	BD	-	D	-	1L	-	00	-	V2	-	S	-	38f
	Adsorber type		Disposable cartridge		Size		No valves 0 IN 0 OUT		Filter fleece 2 micron		Adsorbent Silicagel Orange-Green		Connection for System Thread 3/8" female

Housing materials:	PA6, PC
Silicagel (kg/lb):	0,15 / 0.33
Color-change capacity (ml/floz):	53 / 1.8
Total weight (kg/lb):	0.3 / 0.66

NAME:	
Adsorber BD-D 1L 3/8" f	
BD-D_1L_00_V2_S_38f	
Article no.:	Status
13.0010.20	freigabe
	Format
	A4
	Maßstab
	Blatt / von
	1:1.5
	1 / 1



GIEBEL Adsorber®
...setting standards in aeration drying!

GIEBEL
www.giebel-adsorber.com
info@gf-dry.com