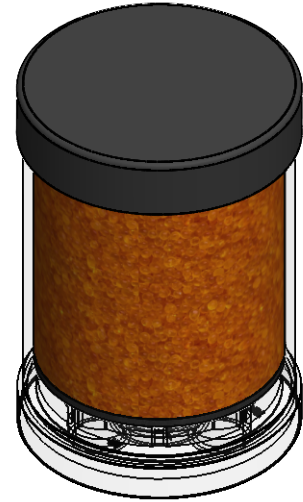
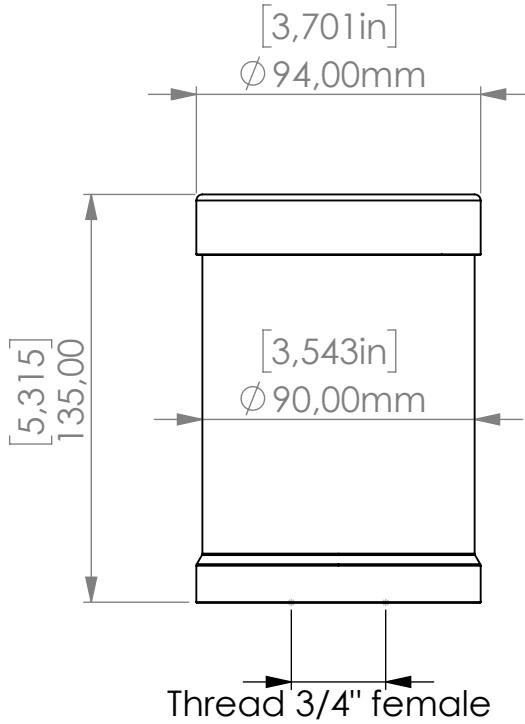


Adsorber BD-D series



Product Code	BD	-	D	-	2M	-	N	-	00	-	P3	-	S	-	34f
	Adsorber type		Disposable cartridge		Size		NBR seals		No valves 0 IN 0 OUT		Paper filter 3 micron		Adsorbent Silicagel Orange-Green		Connection for System Thread 3/4" female

Housing materials:	PA6, PC		
Silicagel (kg/lb):	0.3 / 0.66	Color-change capacity (ml/floz):	105 / 3.6
Total weight (kg/lb):	0.7 / 1.32		

NAME:			
Adsorber BD-D 2M 3/4"f			
BD-D_2M_N_00_P3_S_34f			
Article no.:	Status freigabe	Format A4	
13.0020.01	Maßstab	Blatt / von	
	1:2.5	1 / 1	

 GIEBEL Adsorber® <small>...setting standards in aeration drying!</small>	rev.	Date	Name
		27.01.2026	Daniel Zinic
GIEBEL www.giebel-adsorber.com info@gf-dry.com			