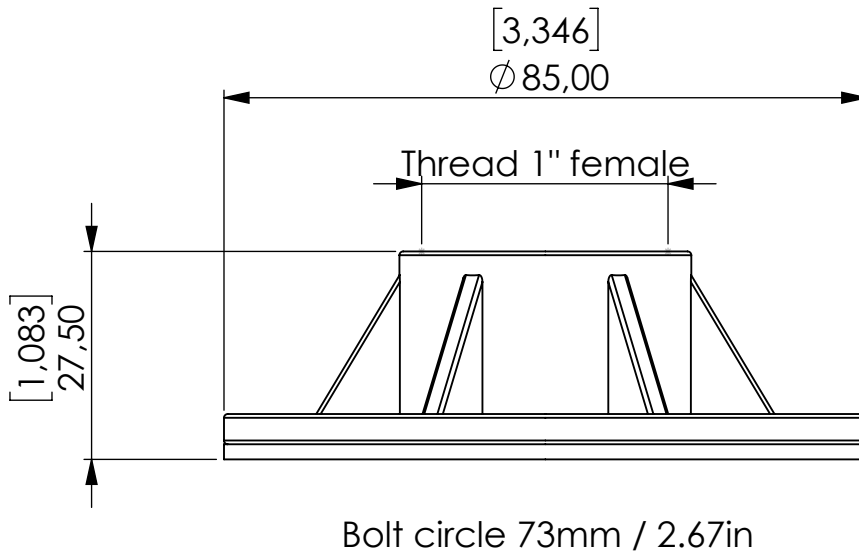
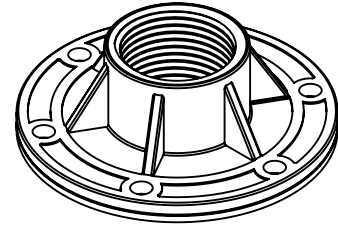


# Flange adapter



Product Code	<b>FLA-BD</b>	-	<b>LK73</b>	-	<b>PA</b>	-	<b>N</b>	-	<b>1f</b>
	Flange adapter		Bolt circle 73mm / 2.67in connection for system		Material PA6 GF30		NBR seals		Connection for Adsorber Thread 1" female

Total weight (kg): 0.04

NAME:

**Flange adapter**  
FLA-BD\_LK73\_PA\_N\_1f

Article no.:  
**07.2134.03**

Status approved

Format A4

Ratio 1:2

Sheet / of 1 / 1

	Date	Name
rev.	03.02.2026	Daniel Zinic
<b>GIEBEL</b> <a href="http://www.giebel-adsorber.com">www.giebel-adsorber.com</a> <a href="mailto:info@gf-dry.com">info@gf-dry.com</a>		



**GIEBEL Adsorber®**  
...setting standards in aeration drying!