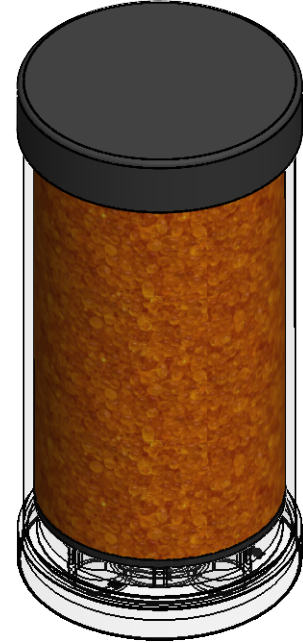
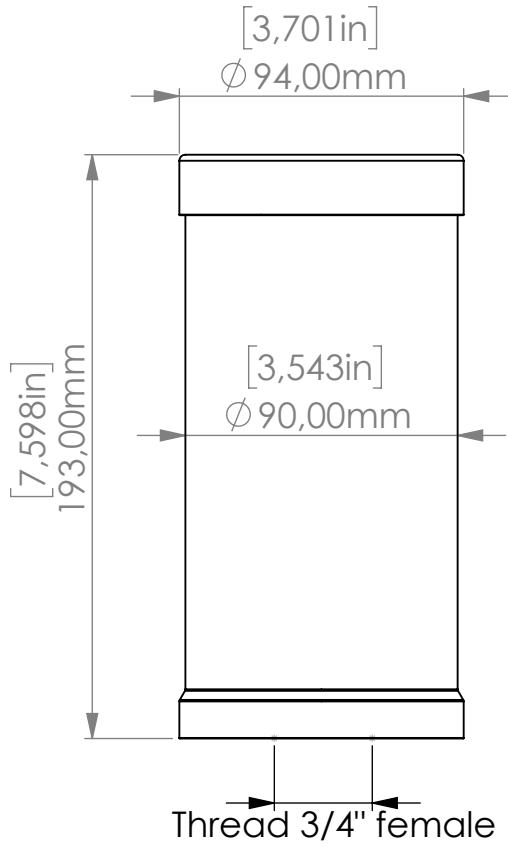


Adsorber BD-D series



Product Code	BD	-	D	-	2L	-	N	-	00	-	P3	-	S	-	34f
	Adsorber type		Disposable cartridge		Size		NBR seals		No valves 0 IN 0 OUT		Paper filter 3 micron		Adsorbent Silicagel Orange-Green		Connection for System Thread 3/4" female

Housing materials:	PA6, PC	
Silicagel (kg/lb):	0,5 / 1.1	Color-change capacity (ml/floz): 175 / 5.9
Total weight (kg/lb):	0.9 / 2	

NAME:		
Adsorber BD-D 2L 3/4" f		
BD-D_2L_N_00_P3_S_34f		
Article no.:	Status freigabe	Format A4
13.0020.20	Maßstab	Blatt / von
	1:2.5	1 / 1

 GIEBEL Adsorber® <small>...setting standards in aeration drying!</small>	Date	Name
	rev. 27.01.2026	Daniel Zinic
GIEBEL www.giebel-adsorber.com info@gf-dry.com		